



B O S
LIGHTING

CORUSCUM TILT-STROBE



MAKE LIFE BRIGHTER



CONTACT

Address

BOS Lighting
Dommelseweg 148
5554 NV Valkenswaard
The Netherlands

Online

Emergency email
Email
Website

sos@bos-lighting.nl
info@bos-lighting.nl
www.bos-lighting.nl



SECTION 1 SAFETY INSTRUCTIONS & MAINTENANCE

TABLE OF CONTENTS SAFETY INSTRUCTIONS & MAINTENANCE

INSTALLATION	PAGE 3
WHAT IS IN THE BOX?	PAGE 4
DIMENSIONS CORUSCUM TILT-STROBE	PAGE 4
PREPARING	PAGE 4
IP 65	PAGE 5
DMX-512 CONTROL CONNECTIONS	PAGE 6
PHOTOMETRIC DATA	PAGE 7
MENU OVERVIEW	PAGE 8
DMX CHANNELS	PAGE 9
7 CH MODE	PAGE 9
14 CH MODE	PAGE 10
16 CH MODE	PAGE 11
42 CH MODE	PAGE 13
44 CH MODE	PAGE 15
TROUBLESHOOTING AND CLEANING	PAGE 17
TECHNICAL SPECIFICATIONS	PAGE 18

This product is for professional use only. It is not for household use.

This product presents risks of severe injury or death due to fire and burn hazards, electric shock and falls. Read this manual before installing, powering or servicing the fixture, follow the safety precautions listed below and observe all warnings in this manual and printed on the fixture. This device has left the factory in perfect condition. In order to maintain this condition and to ensure a safe operation, it is absolutely necessary for the user to follow the safety instructions and warning notes written in this user manual.

If you have questions about how to operate the fixture safely, please contact us via info@bos-lighting.nl.



WARNING!

Read the safety precautions in this section before unpacking, installing, powering or operating this product.

- This luminaries are multi-environmental fixtures with an IP-rating of 65, intended for professional use only. They are not suitable for household use.
- Review the following safety precautions carefully before installing or operating the fixture. This fixture must be installed in accordance with the applicable installation code by a person familiar with the construction and operation of the fixture and the hazards involved.



WARNING!

Risk of electric shock.

- Always power off/unplug the fixture before removing any covers.
- Ensure that the power is turned off when connecting the fixture to the AC mains supply.
- Do not apply power if the fixture is in any way damaged.
- Do not immerse the fixture in water or liquid.



WARNING!

Take measures to prevent burns and fire.

- Install in a location that prevents accidental contact with the fixture.
- Install only in a well-ventilated space.
- Install at least 0.3 m (12 in.) away from objects to be illuminated.
- Install only in accordance with applicable building codes.
- Ensure a minimum clearance of 0.1 m (4 in.) around the cooling fans.
- Do not paint, cover or modify the fixture.
- Keep all flammable materials away from the fixture.
- Allow the fixture to cool for 15 minutes after operation, before touching it.
- CAUTION: Exterior surface temperature after 5 min. operation = 45 °C



WARNING!

Take measure to prevent personal injury.

- Do not look directly at the light source from close range.
- Take precautions to prevent injury due to falls when working at height.
- For permanent installation, ensure that the fixture is securely fastened to a load-bearing surface with suitable corrosion-resistant hardware.
- For temporary installation with clamps, ensure that the quarter-turn fasteners are turned fully and secured with a suitable safety cable.
- The cable must be approved for a safe working load (SWL) of 10 times the weight of the fixture, and it must have a minimum gauge of 3 mm.



CAUTION!

Disconnect from mains before starting maintenance operation

The following points have to be considered during the inspection:

1. All screws for installing the devices or parts of the device have to be tightly connected and must not be corroded.
2. There must not be any deformations on the housing, color lenses, fixations and installation spots (ceiling, suspension, trussing).
3. Mechanically moved parts must not show any traces of wearing and must not rotate with unbalances.
4. The electric power supply cables must not show any damage, material fatigue or sediments.

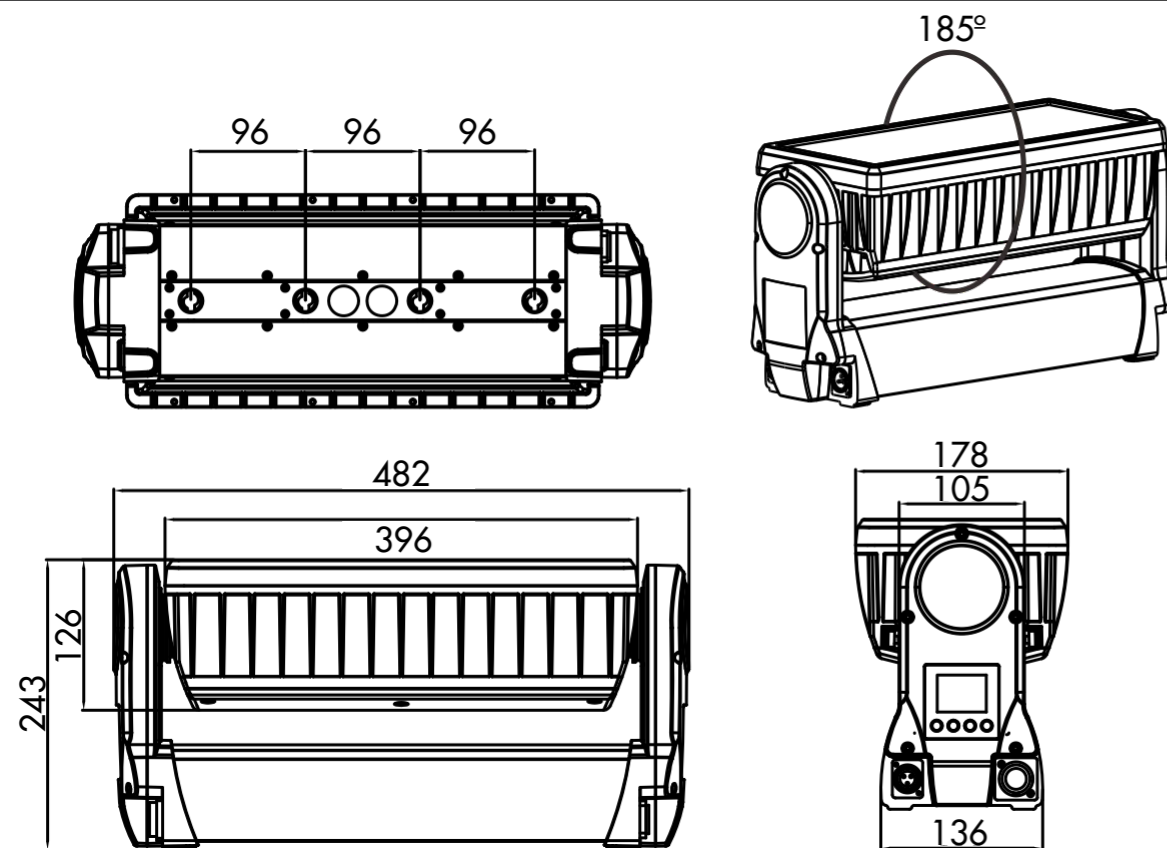
Further instructions depending on the installation spot and usage have to be adhered by a skilled installer and any safety problems have to be removed.

SECTION 2 INSTALLATION

WHAT IS IN THE BOX?

- 1x CORUSCUM TILT-STROBE
- 1x Shuko -> True1
- 1x Safety cable
- 2x Quicklock bracket for clamp

DIMENSIONS CORUSCUM TILT-STROBE



PREPARING

Unpack the fixture and inspect it to ensure that it has not been damaged during transport. Read the manual before installation.

When selecting a location for the fixture, ensure that:

- It is situated away from public thoroughfares and protected from contact with people.
- It is not immersed in water or exposed to high-pressure water jets.
- It has adequate ventilation.



IP 65

SOLIDS		LIQUIDS	
1	Protected against a solid object greater than 50mm such as a hand.	1	Protected against vertical falling drops of water. Limited ingress permitted.
2	Protected against a solid object greater than 12.5mm such as a finger.	2	Protected against vertical falling drops of water with enclosure tilted up to 15 degrees from the vertical. Limited ingress permitted.
3	Protected against a solid object greater than 2.5mm such as a screwdriver.	3	Protected against sprays of water up to 60 degrees from the vertical. Limited ingress permitted.
4	Protected against a solid object greater than 1mm such as a wire.	4	Protected against water splashes from all directions. Limited ingress permitted.
5	Dust protected. Limited ingress of dust permitted. Will not interfere with operation of the equipment.	5	Protected against jets of water. Limited ingress permitted.
6	Dust tight. No ingress of dust.	6	Protected against powerful jets of water. Limited ingress permitted.
Ingress Protection 6 5		7	Protected against the effects of immersion in water between 15cm and 1m for 30 minutes.
		8	Protected against the effects of immersion in water under pressure for long periods.



WARNING!

Make sure the manual is read, and followed, before usage of the product.

IP65 is not waterproof – it is water resistant. Products that carry an IP65 rating cannot be submerged and maintain their protections.

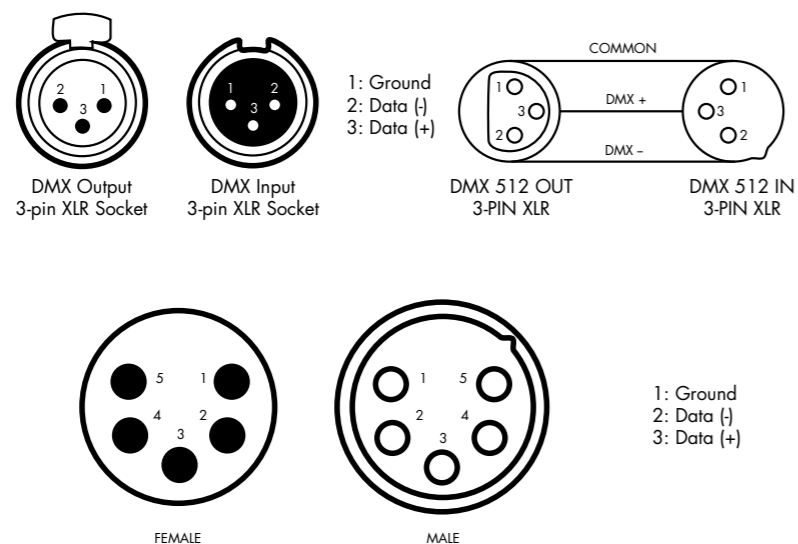
The purpose of the CORUSCUM TILT-STROBE is for temporary use. The products purpose is for e.g. festivals, theatres, indoor and outdoor concerts. Long term usage can lead to damage due to aging of the materials and affecting the coated surface, and the rubber sealings will be affected by long-term UV exposure. Tightening the screws to hard will affect the IP-rating. Please make sure the cleaning and maintaining procedures are in order for a safe environment.



SECTION 3 DMX-512 CONTROL CONNECTIONS

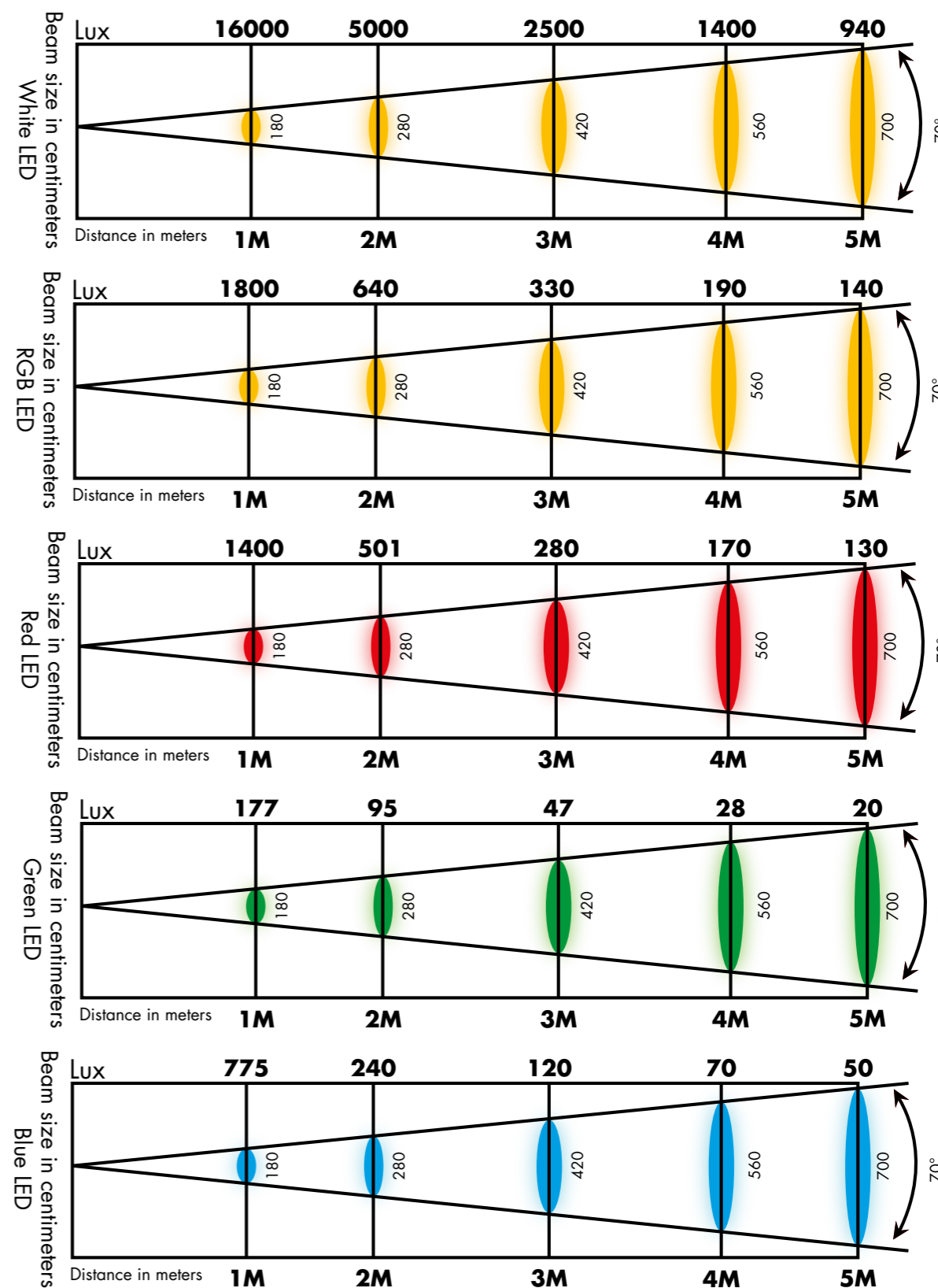
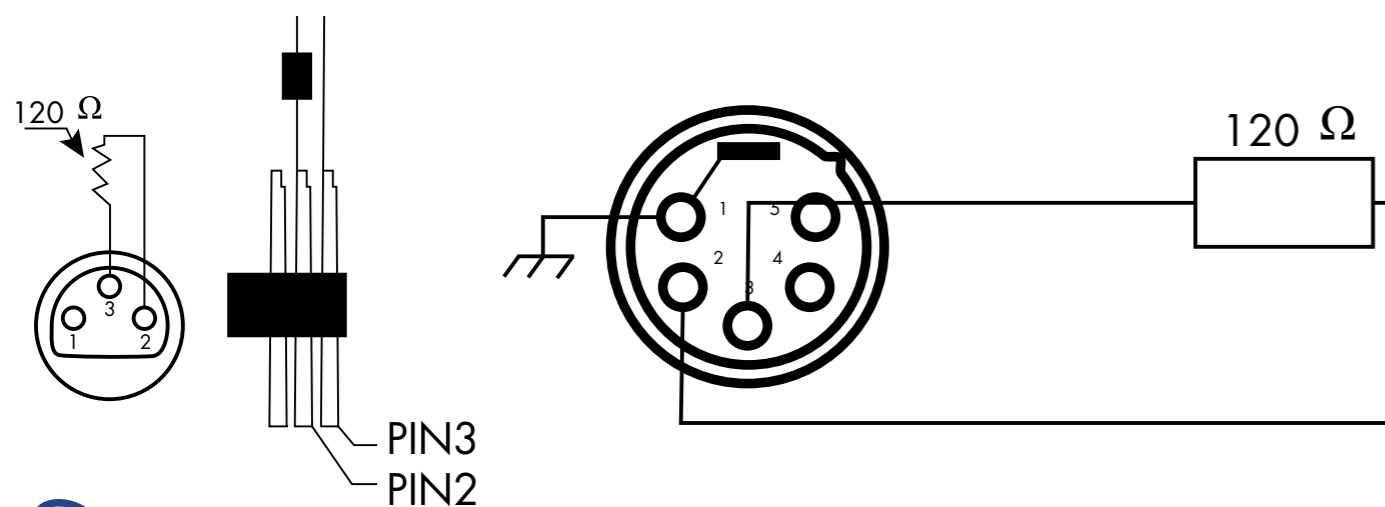
SECTION 4 PHOTOMETRIC DATA

Connect the provided XLR cable to the female 3-pin XLR & 5-pin XLR output of your controller and the other side to the male 3-pin XLR & 5-pin XLR input of the moving head. You can chain multiple moving head together through serial linking. The cable needed should be two core, screened cable with XLR input and output connectors. Please refer to the diagram below.



For installations where the DMX cable has to run a long distance or is in an electrically noisy environment, such as in a discotheque, it is recommended to use a DMX terminator. This helps in preventing corruption of the digital control signal by electrical noise. The DMX terminator is simply an XLR plug with a 120 Ω resistor connected between pins 2 and 3, which is then plugged into the output XLR socket of the last fixture in the chain.

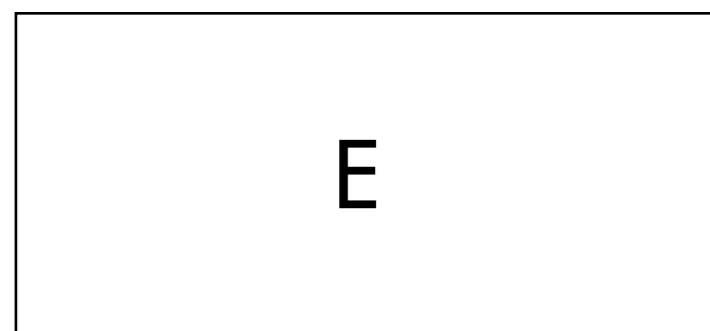
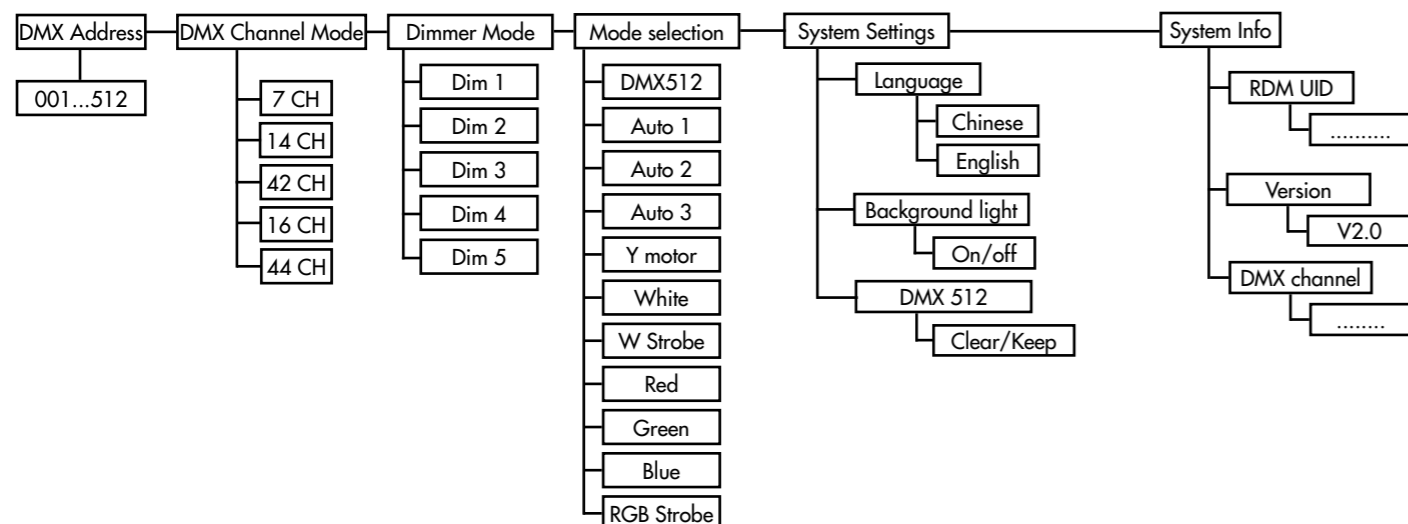
Please see illustrations below.





SECTION 5 MENU OVERVIEW

SECTION 6 DMX CHANNELS



- A: MENU
- B: UP
- C: DOWN
- D: CONFIRM/ENTER
- E: DISPLAY



- MENU** To select the programming functions (press to unlock screen)
- UP** To go backward in the selected functions
- DOWN** To go forward in the selected functions
- CONFIRM/ENTER** To confirm the selected functions

7 CH MODE

Channel	Value	Function
1	000...255	Tilt movement
2	000...255	Beam intensity
3	Beam Strobe Mode	
	000...005	No strobe
	006...042	Strobe mode 1
	043...085	Strobe mode 2
	086...128	Strobe mode 3
	129...171	Strobe mode 4
	172...214	Strobe mode 5
	215...255	Strobe mode 6
4	000...255	Plate RED dimmer
5	000...255	Plate GREEN dimmer
6	000...255	Plate BLUE dimmer
7	Plate Strobe	
	000...009	No strobe
	010...255	Strobe from slow (0) to fast (255)

14 CH MODE

Channel	Value	Function
1	000...255	Tilt movement
2	000...255	Tilt fine movement
3	000...255	Beam intensity
4	Beam Strobe Mode	
	000...005	No strobe
	006...042	Strobe mode 1
	043...085	Strobe mode 2
	086...128	Strobe mode 3
	129...171	Strobe mode 4
	172...214	Strobe mode 5
	215...255	Strobe mode 6
5	000...255	Reserved channel
6	Beam Macro	
	000...015	Beam off
	016...057	Beam macro 1
	058...099	Beam macro 2
	100...141	Beam macro 3
	142...183	Beam macro 4
	184...225	Beam macro 5
226...255	Beam macro 6	
7	000...255	Plate RED dimmer
8	000...255	Plate GREEN dimmer
9	000...255	Plate BLUE dimmer
10	Plate Strobe	
	000...009	No strobe
	010...255	Strobe from slow (0) to fast (255)

Plate Macro		
11	000...004	Plate macro off
	005...009	Plate macro 1
	010...014	Plate macro 2
	015...019	Plate macro 3
	...	Plate macro ...
	250...254	Plate macro 50
	255	Plate macro 51
12	000...255	Plate macro color
13	000...255	Plate macro speed from slow (0) to fast (255)
14	Plate Total Dimmer	
	000	Close
	001...255	Plate total dimmer from dark (0) to bright (255)

16 CH MODE

Channel	Value	Function
1	000...255	Tilt movement
2	000...255	Tilt fine movement
3	000...255	Beam intensity
4	Beam Strobe Mode	
	000...005	No strobe
	006...042	Strobe mode 1
	043...085	Strobe mode 2
	086...128	Strobe mode 3
	129...171	Strobe mode 4
	172...214	Strobe mode 5
	215...255	Strobe mode 6
5	000...255	Reserved channel

Beam Macro		
6	000...015	Beam off
	016...057	Beam macro 1
	058...099	Beam macro 2
	100...141	Beam macro 3
	142...183	Beam macro 4
	184...2225	Beam macro 5
	226...255	Beam macro 6
7	000...255	Plate RED dimmer
8	000...255	Plate GREEN dimmer
9	000...255	Plate BLUE dimmer
Plate Strobe		
10	000...009	No strobe
	010...255	Strobe from slow (0) to fast (255)
Plate Macro		
11	000...004	Plate macro off
	005...009	Plate macro 1
	010...014	Plate macro 2
	015...019	Plate macro 3
	...	Plate macro ...
	250...254	Plate macro 50
	255	Plate macro 51
	12	000...255
13	000...255	Plate macro speed from slow (0) to fast (255)
Plate Total Dimmer		
14	000	Close
	001...255	Plate total dimmer from dark (0) to bright (255)
15	000...255	Tilt speed from fast (0) to slow (255)
16	000...255	Plate dimmer speed from fast (0) to slow (255)

42 CH MODE

Channel	Value	Function
1	000...255	Tilt movement
2	000...255	Tilt fine movement
3	000...255	Beam intensity
Beam Strobe Mode		
4	000...005	No strobe
	006...042	Strobe mode 1
	043...085	Strobe mode 2
	086...128	Strobe mode 3
	129...171	Strobe mode 4
	172...214	Strobe mode 5
	215...255	Strobe mode 6
5	000...255	Reserved channel
Beam Macro		
6	000...015	Beam off
	016...057	Beam macro 1
	058...099	Beam macro 2
	100...141	Beam macro 3
	142...183	Beam macro 4
	184...2225	Beam macro 5
	226...255	Beam macro 6
7	000...255	Plate RED dimmer
8	000...255	Plate GREEN dimmer
9	000...255	Plate BLUE dimmer
10	000...255	Plate strobe

Plate Macro		
11	000...004	Plate macro off
	005...009	Plate macro 1
	010...014	Plate macro 2
	015...019	Plate macro 3
	...	Plate macro ...
	250...254	Plate macro 50
	255	Plate macro 51
12	000...255	Plate macro color
13	000...255	Plate macro speed from slow (0) to fast (255)
Plate Total Dimmer		
14	000	Close
	001...255	Plate total dimmer from dark (0) to bright (255)
15	000...255	Beam pixel 1 - tube pixel 1
16	000...255	Beam pixel 2 - tube pixel 2
17	000...255	Beam pixel 3 - tube pixel 3
18	000...255	Beam pixel 4 - tube pixel 4
19	000...255	Plate pixel 1 RED dimmer
20	000...255	Plate pixel 1 GREEN dimmer
21	000...255	Plate pixel 1 BLUE dimmer
...	000...255	...
40	000...255	Plate pixel 8 RED dimmer
41	000...255	Plate pixel 8 GREEN dimmer
42	000...255	Plate pixel 8 BLUE dimmer

44 CH MODE

Channel	Value	Function
1	000...255	Tilt movement
2	000...255	Tilt fine movement
3	000...255	Beam intensity
Beam Strobe Mode		
4	000...005	No strobe
	006...042	Strobe mode 1
	043...085	Strobe mode 2
	086...128	Strobe mode 3
	129...171	Strobe mode 4
	172...214	Strobe mode 5
	215...255	Strobe mode 6
5	000...255	Reserved channel
Beam Macro		
6	000...015	Beam off
	016...057	Beam macro 1
	058...099	Beam macro 2
	100...141	Beam macro 3
	142...183	Beam macro 4
	184...2225	Beam macro 5
	226...255	Beam macro 6
7	000...255	Plate RED dimmer
8	000...255	Plate GREEN dimmer
9	000...255	Plate BLUE dimmer
10	000...255	Plate strobe



SECTION 7 TROUBLESHOOTING AND CLEANING

11	Plate Macro	
	000...004	Plate macro off
	005...009	Plate macro 1
	010...014	Plate macro 2
	015...019	Plate macro 3
	...	Plate macro ...
	250...254	Plate macro 50
	255	Plate macro 51
12	000...255	Plate macro color
13	000...255	Plate macro speed from slow (0) to fast (255)
14	Plate Total Dimmer	
	000	Close
	001...255	Plate total dimmer from dark (0) to bright (255)
15	000...255	Beam pixel 1 - tube pixel 1
16	000...255	Beam pixel 2 - tube pixel 2
17	000...255	Beam pixel 3 - tube pixel 3
18	000...255	Beam pixel 4 - tube pixel 4
19	000...255	Plate pixel 1 RED dimmer
20	000...255	Plate pixel 1 GREEN dimmer
21	000...255	Plate pixel 1 BLUE dimmer
...	000...255	...
40	000...255	Plate pixel 8 RED dimmer
41	000...255	Plate pixel 8 GREEN dimmer
42	000...255	Plate pixel 8 BLUE dimmer
43	000...255	Tilt speed from fast (0) to slow (255)
44	000...255	Dimmer speed from fast (0) to slow (255)



CAUTION!

Disconnect from mains before starting maintenance operation

The lamp contains professional components such as microcomputer circuit board and high-voltage power supply. For your safety and product life, non-professionals should not disassemble the lamp and related accessories without authorization.

The light beam appears dim

Possible cause: The bulb has been used for a long time or the light path is not clean, the treatment is as follows:

- Check whether the bulb has reached the end of its life, and replace it with a new one
- Check whether the optical components or bulbs are clean, and whether there is dust on the bulbs and other optical components.
- Regular cleaning and maintenance of the bulbs and components in the lamps are required.

The lamps work intermittently

Possible cause: The internal circuit enters the protection state, and the treatment is as follows

- Check whether the fan is operating normally or whether it is dirty, causing the internal temperature of the lamp to rise
- Check whether the internal temperature control switch is closed
- Check whether the bulb has reached the end of its service life, and replace it with a new one.

After the lamp is reset normally, it does not accept the control of the console

Possible cause: signal line failure or abnormal lamp parameter setting, the treatment is as follows:

- Check the start address code and check the connection of the DMX signal line (whether the signal line cable is intact, and whether the connection of the head is loose)
- Add signal amplifier, add 120 ohm terminal resistance.

The lamp can't start

Possible cause: bad power line, the treatment is as follows:

- Check whether the fuse on the power input socket is fused, replace the fuse.
- Lamps have poor line contact due to vibration during long-distance transportation.
- Check the input power, computer board and other plug-in devices.



CAUTION!

Disconnect from mains before starting cleaning operation

To maintain optimal performance, regular cleaning is essential. Cleaning schedules will vary depending on the operating environment, and the installation should therefore be checked at frequent intervals within the first few weeks of operation to see whether cleaning is necessary. This procedure will allow you to assess cleaning requirements in your particular situation. Clean the fixture using a soft cloth dampened with a solution of water and a mild detergent. Do not use products that contain solvents, abrasives or caustic agents for cleaning, as they can cause damage to both hardware, cables and connectors.

SECTION 8 TECHNICAL SPECIFICATIONS

	Strobe Panel LEDs	Strobe Tube LEDs
Light Source	480 × 3in1 RGB LED, each 0.5 W	144x RGB LED, each 5 W
Optical properties	Beam angle	45°
	Repetition rate	26kHz
Control	DMX	
	Buttons and display	
	Infrared remote control	
Number of DMX channels	7CH, 14CH, 16CH, 42CH, 44CH	
Power connections	Lockable True1 In/Out	
Control connections	DMX control	3-pin XLR In/Out
Power consumption	1000W	
Operating supply voltage	100 – 240 V 50/60 Hz	
Protection class	IP65	
Mounting options	Hanging, standing	
Dimensions (W × H × D), with bracket	482 mm × 243 mm × 178 mm	
Weight	12.5 kg	
Ambient conditions	Temperature range	-30 °C...50 °C
	Relative humidity	20 %...80 % (non-condensing)
Construction	Outdoor housing, PAR	
Number of LEDs	624	
Color mixture	RGB	
LED type	3 -in- 1	
Floor housing	Yes	
Fanless	No	
Wireless DMX	No	
Housing color	Black	