



B O S
LIGHTING

AMADEUS H600



MAKE LIFE BRIGHTER



CONTACT

Address

BOS Lighting
Dommelseweg 148
5554 NV Valkenswaard
The Netherlands



Online

Emergency email
Email
Website

sos@bos-lighting.nl
info@bos-lighting.nl
www.bos-lighting.nl



SECTION 1
SAFETY INSTRUCTIONS & MAINTENANCE

TABLE OF CONTENTS

SAFETY INSTRUCTIONS & MAINTENANCE	PAGE 3
INSTALLATION	PAGE 4
<i>WHAT IS IN THE BOX?</i>	PAGE 4
<i>DIMENSIONS AMADEUS H600</i>	PAGE 4
<i>PREPARING</i>	PAGE 5
<i>INSTALLATION OF THE CLAMP</i>	PAGE 5
DMX-512 CONTROL CONNECTIONS	PAGE 6
PHOTOMETRIC DATA	PAGE 7
MENU OVERVIEW	PAGE 8
DMX CHANNELS	PAGE 9
<i>37 CH AND 41 CH</i>	PAGE 9
DMX VALUES	PAGE 11
<i>STATIC GOBO</i>	PAGE 11
<i>ROTATING GOBO</i>	PAGE 11
<i>COLOR</i>	PAGE 11
ROTATING GOBO	PAGE 12
STATIC GOBO	PAGE 13
TROUBLESHOOTING AND CLEANING	PAGE 14
TECHNICAL SPECIFICATIONS	PAGE 15

This product is for professional use only. It is not for household use.

This product presents risks of severe injury or death due to fire and burn hazards, electric shock and falls. Read this manual before installing, powering or servicing the fixture, follow the safety precautions listed below and observe all warnings in this manual and printed on the fixture. This device has left the factory in perfect condition. In order to maintain this condition and to ensure a safe operation, it is absolutely necessary for the user to follow the safety instructions and warning notes written in this user manual.

If you have questions about how to operate the fixture safely, please contact us via info@bos-lighting.nl.

 **WARNING!**
 Read the safety precautions in this section before unpacking, installing, powering or operating this product.


- Review the following safety precautions carefully before installing or operating the fixture. This fixture must be installed in accordance with the applicable installation code by a person familiar with the construction and operation of the fixture and the hazards involved.

 **WARNING!**
 Risk of electric shock.


- Always power off/unplug the fixture before removing any covers.
- Ensure that the power is turned off when connecting the fixture to the AC mains supply.
- Do not apply power if the fixture is in any way damaged.
- Do not immerse the fixture in water or liquid.

 **WARNING!**
 Take measures to prevent burns and fire.

- Install in a location that prevents accidental contact with the fixture.
- Install only in a well-ventilated space.
- Install at least 0.3 m (12 in.) away from objects to be illuminated.
- Install only in accordance with applicable building codes.
- Ensure a minimum clearance of 0.1 m (4 in.) around the cooling fans.
- Do not paint, cover or modify the fixture.
- Keep all flammable materials away from the fixture.
- Allow the fixture to cool for 15 minutes after operation, before touching it.
- CAUTION: Exterior surface temperature after 5 min. operation = 45 °C

 **WARNING!**
 Take measure to prevent personal injury.

- Do not look directly at the light source from close range.
- Take precautions to prevent injury due to falls when working at height.
- For permanent installation, ensure that the fixture is securely fastened to a load-bearing surface with suitable corrosion-resistant hardware.
- For temporary installation with clamps, ensure that the quarter-turn fasteners are turned fully and secured with a suitable safety cable.
- The cable must be approved for a safe working load (SWL) of 10 times the weight of the fixture, and it must have a minimum gauge of 3 mm.

 **CAUTION!**
 Disconnect from mains before starting maintenance operation

The following points have to be considered during the inspection:

1. All screws for installing the devices or parts of the device have to be tightly connected and must not be corroded.
2. There must not be any deformations on the housing, color lenses, fixations and installation spots (ceiling, suspension, trussing).
3. Mechanically moved parts must not show any traces of wearing and must not rotate with unbalances.
4. The electric power supply cables must not show any damage, material fatigue or sediments.

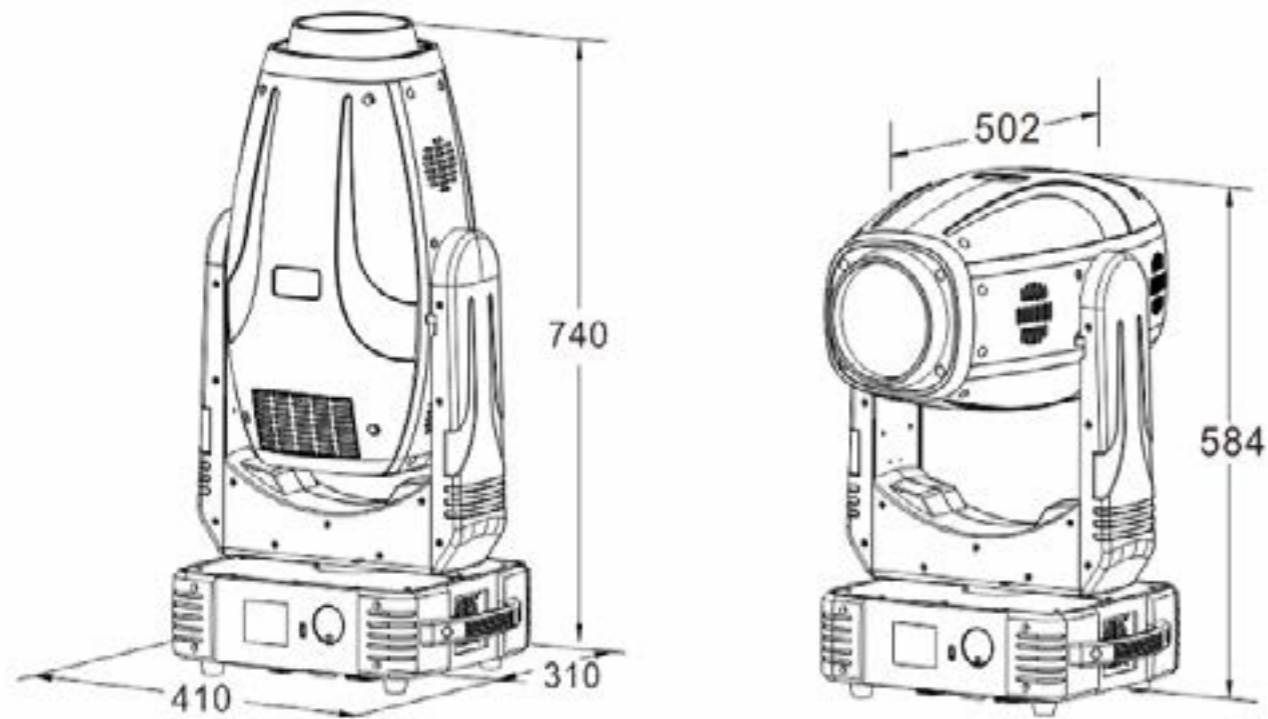
Further instructions depending on the installation spot and usage have to be adhered by a skilled installer and any safety problems have to be removed.

SECTION 2 INSTALLATION

WHAT IS IN THE BOX?

- 1x AMADEUS H600
- 1x Shuko -> True1
- 2x Brackets with quicklock
- 1x Safety cable

DIMENSIONS AMADEUS H600



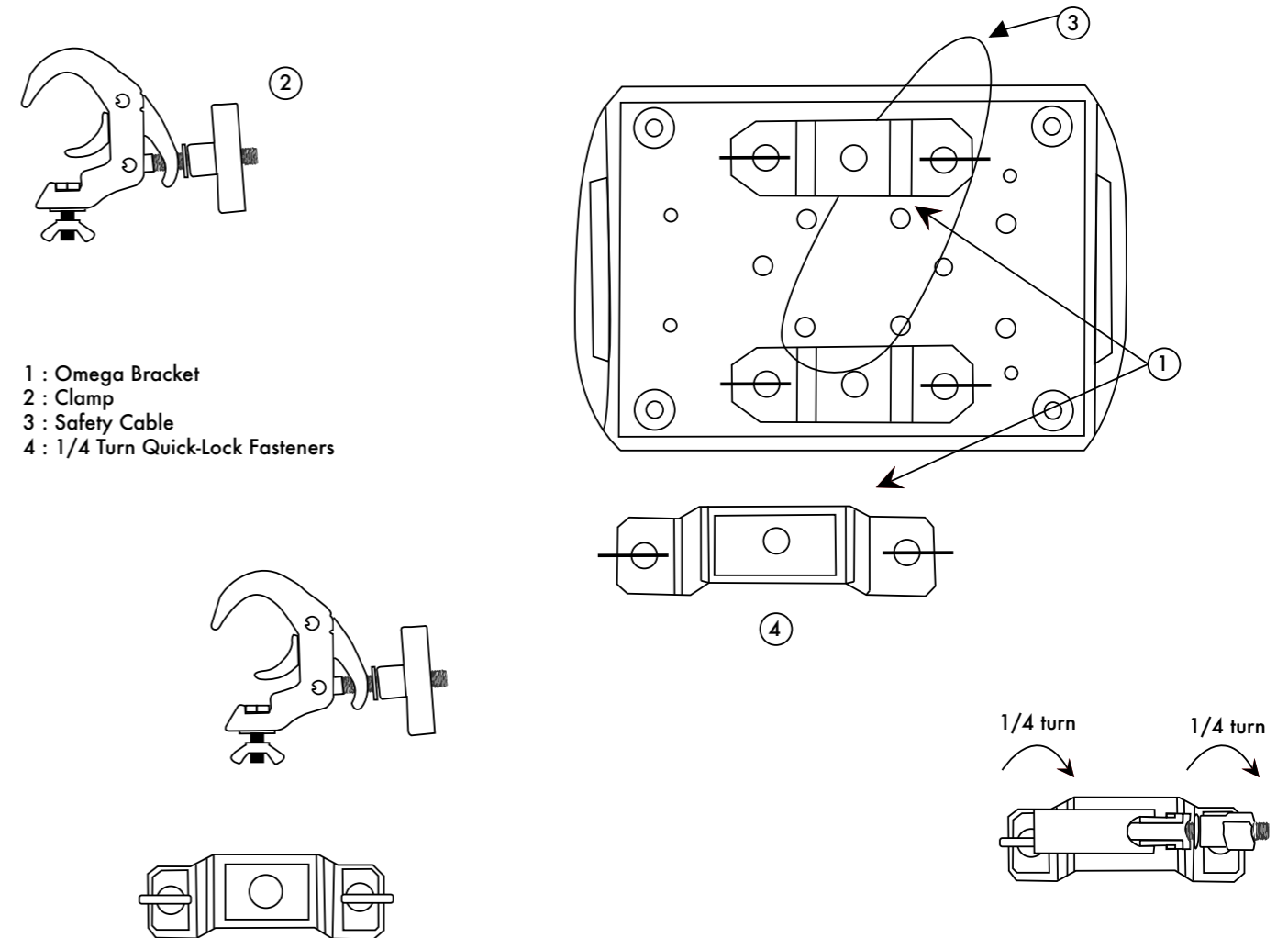
PREPARING

Unpack the fixture and inspect it to ensure that it has not been damaged during transport. Read the manual before installation.

When selecting a location for the fixture, ensure that:

- It is situated away from public thoroughfares and protected from contact with people.
- It is placed with no chance of getting wet
- It has adequate ventilation.

INSTALLATION OF THE CLAMP

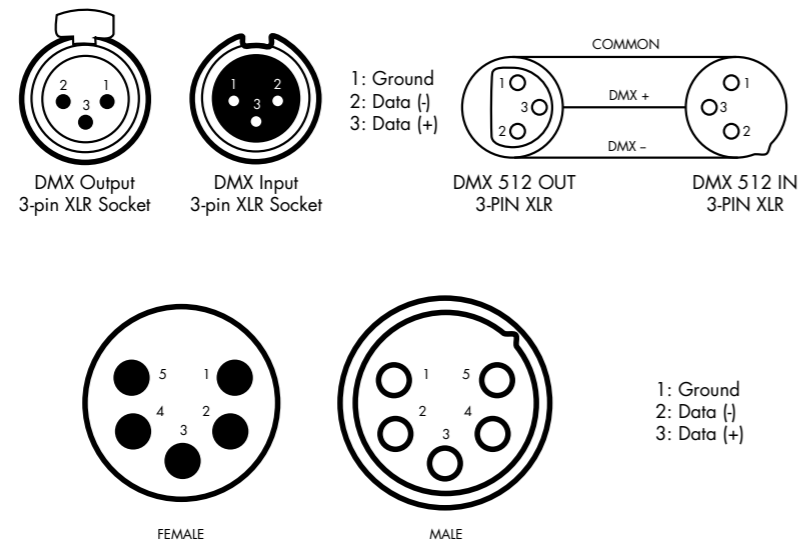




SECTION 3 DMX-512 CONTROL CONNECTIONS

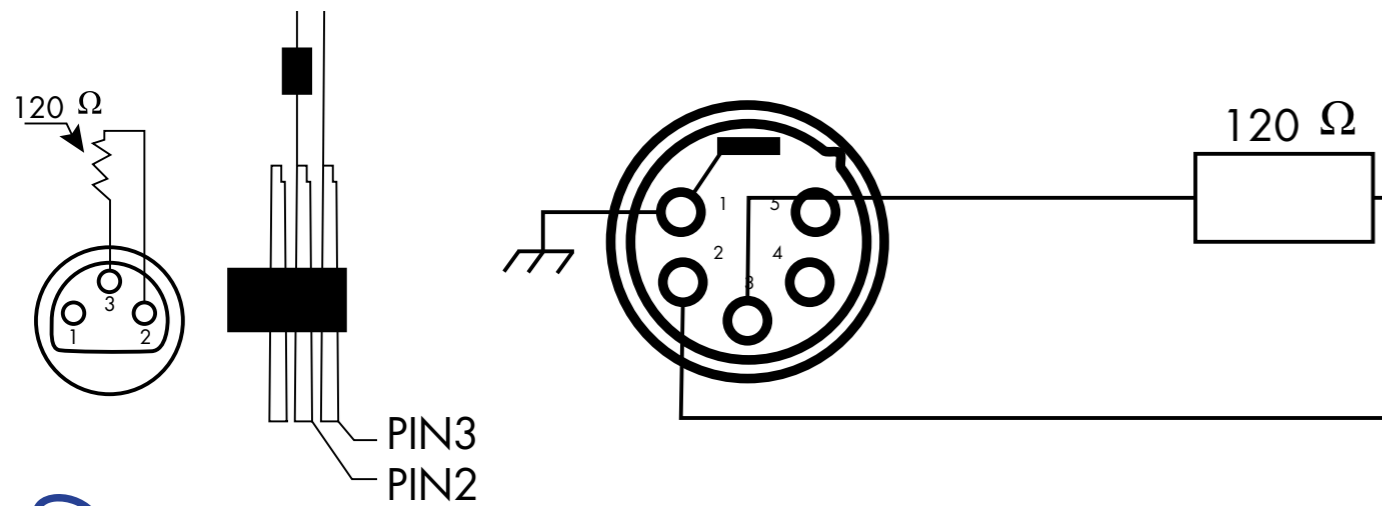
SECTION 4 PHOTOMETRIC DATA

Connect the provided XLR cable to the female 3-pin XLR & 5-pin XLR output of your controller and the other side to the male 3-pin XLR & 5-pin XLR input of the moving head. You can chain multiple moving head together through serial linking. The cable needed should be two core, screened cable with XLR input and output connectors. Please refer to the diagram below.



For installations where the DMX cable has to run a long distance or is in an electrically noisy environment, it is recommended to use a DMX terminator. This helps in preventing corruption of the digital control signal by electrical noise. The DMX terminator is simply an XLR plug with a 120 Ω resistor connected between pins 2 and 3, which is then plugged into the output XLR socket of the last fixture in the chain.

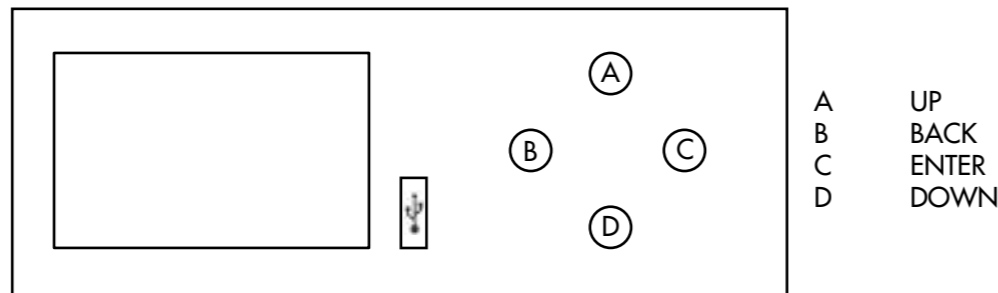
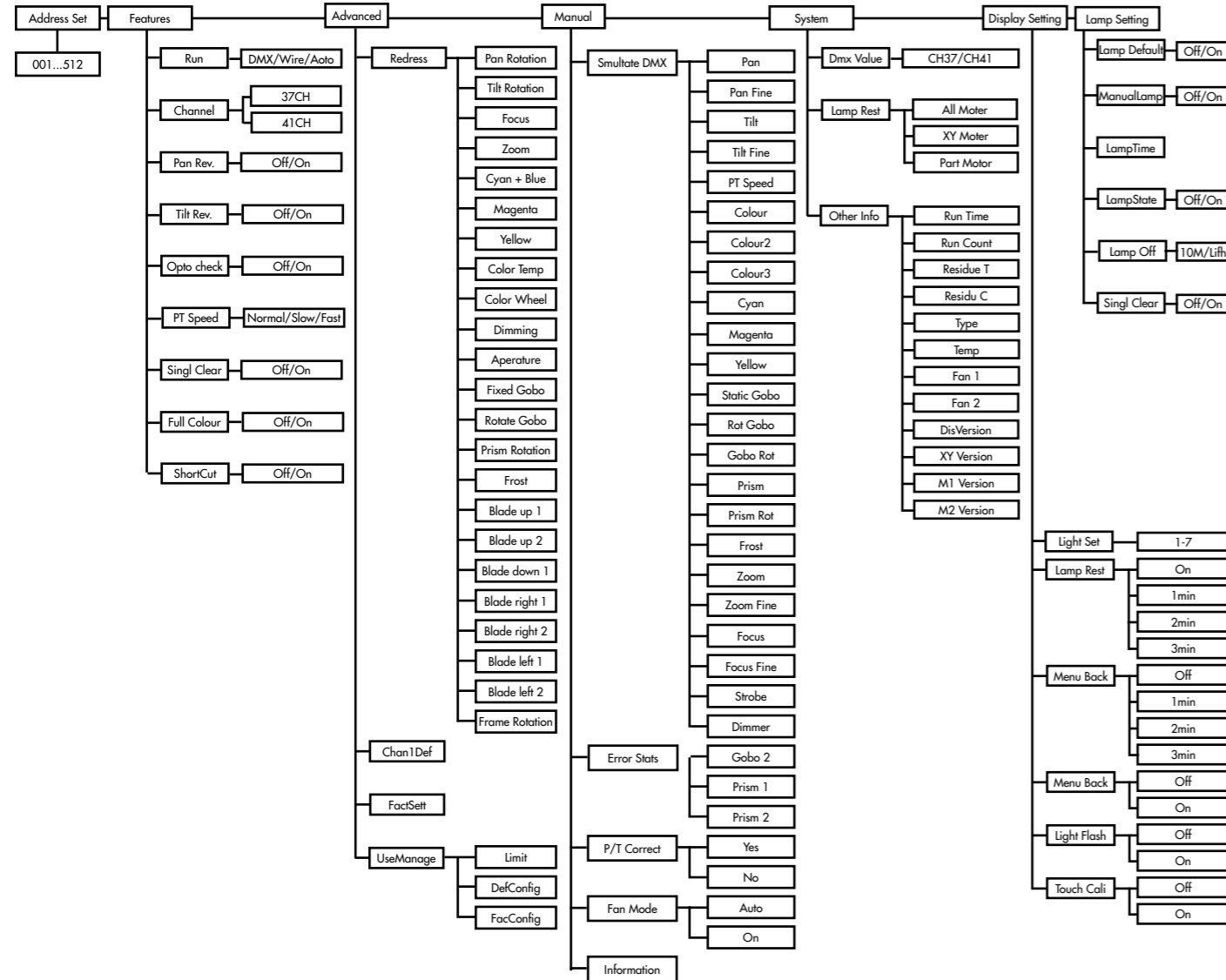
Please see illustrations below.





SECTION 5 MENU OVERVIEW

SECTION 6 DMX CHANNELS



37 CH AND 41 CH

37 CH	41 CH	Function	Value	Description
1	1	Green + Blue	000...255	Linear Green + Blue
2	2	Magenta	000...255	Linear Magenta
3	3	Yellow	000...255	Linear Yellow
4	4	CTO	000...255	Linear CTO Movement
5	5	Color wheel	000...0255	See DMX values Page 11
6	6	Strobe	000...003	Strobe Close
			004...103	Strobe from slow (004) to fast (103)
			104...107	Strobe Open
			108...207	Random Strobe from slow (108) to fast (207)
			208...212	Strobe Open
			213...251	Random Strobe from slow (213) to fast (251)
			252...255	Strobe Open
7	7	Dimming	000...255	Linear Dimming
8	8	Dimmer Fine	000...255	No Function
9	9	Iris	000...131	Linear Aperature from small (000) to large (131)
			132...171	Iris pulsation from slow (131) to fast (171) speed
			172...211	Iris pulsation from slow (172) to fast speed (211)with fast opening
			212...251	Iris pulsation from slow (212) to fast speed (251) with fast closing
			252...255	Maximum Aperature
10	10	Fixed GOBO	000...255	See DMX values Page 11
11	11	Rotate GOBO	000...255	See DMX values Page 11
12	12	GOBO Rotation	000...217	Index
			128...190	Rotation Clockwise from fast (128) to slow (190)
			191...192	Stop
			193...255	Rotation Anti-Clockwise from (193) to fast (255)
13	13	GOBO Rotation Fine	000...255	No function
14	14	Prism	000...127	No function
			128...255	Prism
15	15	Prism Rotation	000...217	Index
			128...190	Anti-clockwise run from fast (128) to slow (190)
			191...192	Stop
			193...255	Clockwise from (193) to fast (255)



SECTION 7 DMX VALUES

37 CH	41 CH	Function	Value	Description
16	16	Frost	000	No Function
			001...255	Linear Frost
17	17	Blade Up 1	000...255	Blade Up 1
18	18	Blade Up 2	000...255	Blade Up 2
19	19	Blade Down 1	000...255	Blade Down 1
20	20	Blade Down 2	000...255	Blade Down 2
21	21	Blade Right 1	000...255	Blade Right 1
22	22	Blade Right 2	000...255	Blade Right 2
23	23	Blade Left 1	000...255	Blade Left 1
24	24	Blade Left 2	000...255	Blade Left 2
25	25	Frame Rotation	000...255	Frame Rotation
26	26	Focus	000...255	Focus
27	27	Focus Fine	000...255	Focus Fine
28	28	Zoom	000...255	Linear Zoom
29	29	Autofocus	000...255	No Function
30	30	Autofocus Fine	000...255	No Function
31	31	Pan Rotation	000...255	0°~ 540°
32	32	Pan Fine	000...255	Pan Fine
33	33	Tilt Rotation	000...255	0°~ 270°
34	34	Tilt Fine	000...255	Tilt Fine
35	35	Function Setting	000...011	Blank
			012...024	Tilt / Pan Test On
			025...037	Tilt / Pan Test Off
			038...255	Blank
36	36	Reset	000...025	No Function
			026...076	Small Step Motor Reset
			077...127	Pan / Tilt Reset
			128...255	System Rest
37	37	LED Lamp	000...255	No Function
	38	P/T Speed	000...255	P/T adjust speed
	39	Color Wheel Speed	000...255	No Function
	40	Speed of Light Wheel	000...255	No Function
	41	GOBO Wheel Speed	000...255	No Function

Function	Value	Description
Static Gobo	000...007	No Function (Open GOBO)
	008...015	GOBO 1
	016...023	GOBO 2
	024...031	GOBO 3
	032...039	GOBO 4
	040...047	GOBO 5
	048...055	GOBO 6
	056...063	GOBO 7
	064...071	GOBO 8
	072...113	Clockwise run from fast (072) to slow (113)
	114-117	Stop
	118...159	Anti-clockwise run from fast (118) to slow (159)
	160...171	GOBO 1 Shake
	172...183	GOBO 2 Shake
	184...195	GOBO 3 Shake
	196...207	GOBO 4 Shake
	208...219	GOBO 5 Shake
	220...231	GOBO 6 Shake
	232...243	GOBO 7 Shake
	244...255	GOBO 8 Shake

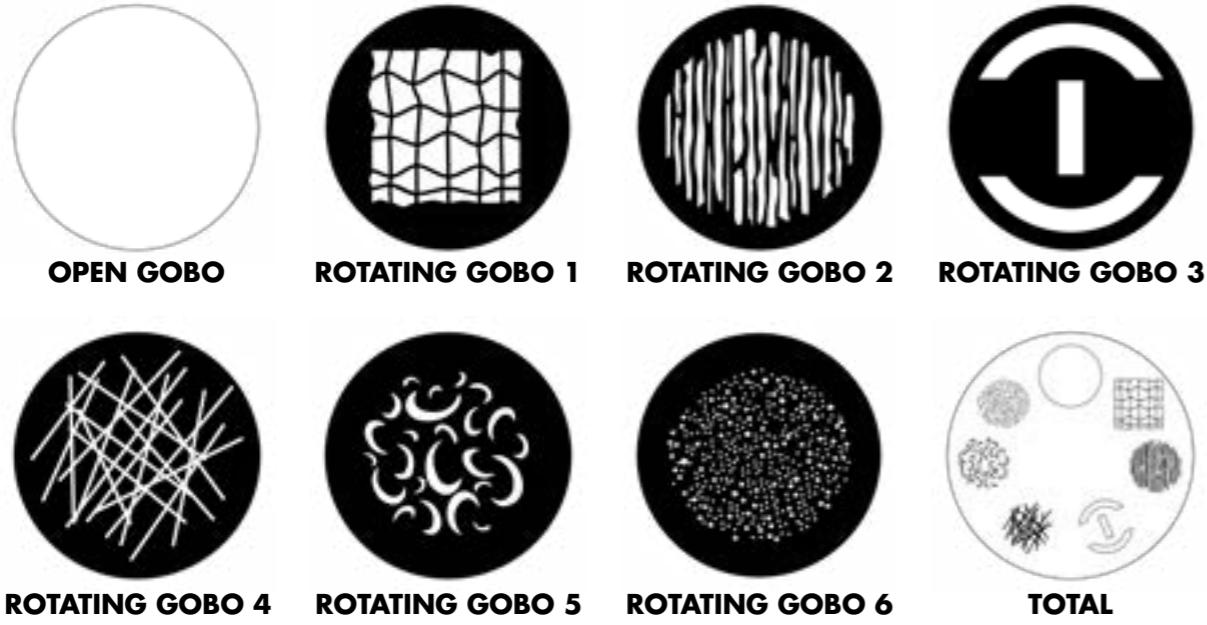
Function	Value	Description
Color	000...008	White
	008...017	Open / Dark Red
	018...026	Dark Red
	027...035	Dark Red / Magenta
	036...044	Magenta
	045...053	Magenta / Orange
	054...062	Orange
	063...071	Orange / Green
	072...080	Green
	081...089	Green / Blue
	090...098	Blue
	099...107	Blue / Open
	108...109	Open
	110...116	CRI
	117...127	CRI / White
	128...255	Scroll

Function	Value	Description
Rotating Gobo	000...018	No Function (Open GOBO)
	019...037	Rotating GOBO 1
	038...056	Rotating GOBO 2
	057...074	Rotating GOBO 3
	075...092	Rotating GOBO 4
	093...111	Rotating GOBO 5
	121...129	Rotating GOBO 6
	130...150	Rotating GOBO 1 Shake
	151...171	Rotating GOBO 2 Shake
	172...192	Rotating GOBO 3 Shake
	193...213	Rotating GOBO 4 Shake
	214...234	Rotating GOBO 5 Shake
	235...255	Rotating GOBO 6 Shake

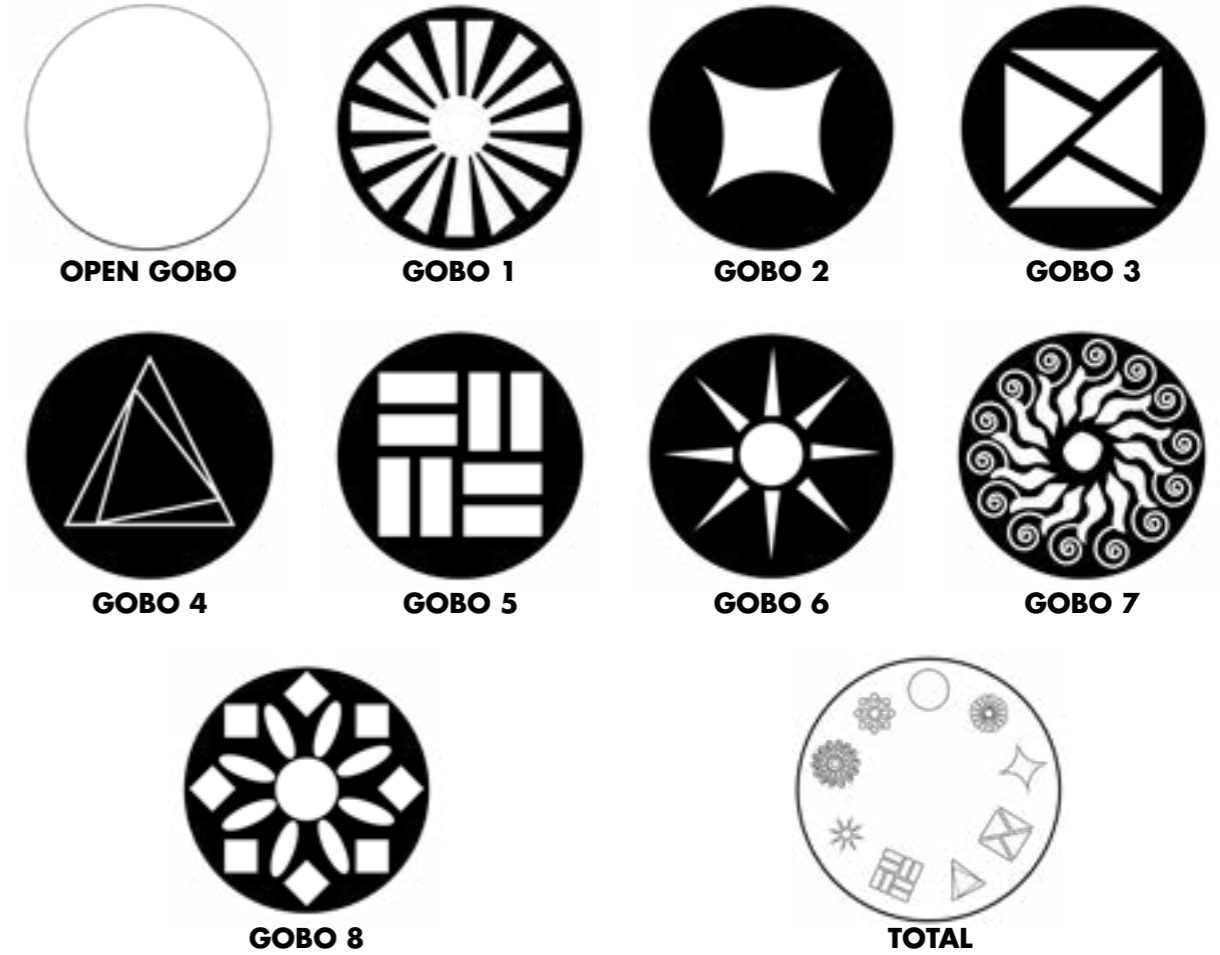


SECTION 8 ROTATING GOBO

SECTION 9 STATIC GOBO



Note:
The images above are an virtual illustration of the rotating gobos.
The gobo might be slightly different from illustrated version.



Note:
The images above are an virtual illustration of the rotating gobos.
The gobo might be slightly different from illustrated version.

SECTION 9 TROUBLESHOOTING AND CLEANING



CAUTION!

Disconnect from mains before starting maintenance operation

The lamp contains professional components such as microcomputer circuit board and high-voltage power supply. For your safety and product life, non-professionals should not disassemble the lamp and related accessories without authorization.

The diode does not light up (except LED light source)

Possible cause: The bulb is not completely cooled, or the bulb has reached the end of its life, the treatment is as follows:

- Due to abnormal operation, the bulb is not completely cooled down, so let the lamp body cool down for more than 10 minutes to make the inside completely return to normal state, and then turn on the power again.
- Check whether the bulb has reached the end of its life, and replace it with a new one.
- Check whether the bulb and the lighter circuit are leaking, falling off, or having poor contact.
- Replace with a new light source.

The light beam appears dim

Possible cause: The bulb has been used for a long time or the light path is not clean, the treatment is as follows:

- Check whether the bulb has reached the end of its life, and replace it with a new one
- Check whether the optical components or bulbs are clean, and whether there is dust on the bulbs and other optical components.
- Regular cleaning and maintenance of the bulbs and components in the lamps are required.

Blurred pattern projection

Possible cause: Lenses are dirty or electronic focus is defect:

- Check if lenses are clean.
- Check whether the electronic focus channel value is suitable for the current projection distance.

The lamps work intermittently

Possible cause: The internal circuit enters the protection state, and the treatment is as follows

- Check whether the fan is operating normally or whether it is dirty, causing the internal temperature of the lamp to rise
- Check whether the internal temperature control switch is closed
- Check whether the bulb has reached the end of its service life, and replace it with a new one.

After the lamp is reset normally, it does not accept the control of the console

Possible cause: signal line failure or abnormal lamp parameter setting, the treatment is as follows:

- Check the start address code and check the connection of the DMX signal line (whether the signal line cable is intact, and whether the connection of the head is loose)
- Add signal amplifier, add 120 ohm terminal resistance.

The lamp can't start

Possible cause: bad power line, the treatment is as follows:

- Check whether the fuse on the power input socket is fused, replace the fuse.
- Lamps have poor line contact due to vibration during long-distance transportation.
- Check the input power, computer board and other plug-in devices.



CAUTION!

Disconnect from mains before starting cleaning operation

In order to make the lights in good condition and extend the life time, we suggest a regular cleaning to the lights.

1. Clean the inside and outside lens each week to avoid the weakness of the lights due to accumulation of dust.
2. Clean the fan each week.
3. A detailed electric check by approved electrical engineer each three month, make sure that the circuit contacts are in good condition, prevent the poor contact of circuit from overheating.

We recommend a frequent cleaning of the device. Please use a moist, lint-free cloth. Never use alcohol solvents.

There are no serviceable parts inside the device. Please refer to the instructions under "Installation instructions".
Should you need any spare parts, please order genuine parts from your local dealer.



BOS LIGHTING
BOS Lighting Amadeus H600 Profile
Page 14
Version: v1 // 2024

SECTION 10 TECHNICAL SPECIFICATIONS

Light Source	600W White LED Engine	
Optical properties	Beam angle	6°~ 42°
	Repetition rate	3000 Hz
Control	DMX	
	Master-slave and sound activated controllable or auto operation	
Number of DMX channels	20CH	
Power connections	Lockable True1 In/Out	
Control connections	DMX control	3-pin XLR In/Out
Power consumption	600 W	
Operating supply voltage	100 – 240 V 50/60 Hz	
Protection class	IP20	
Mounting options	Hanging with Two 1/4 turn fastening Omega Clamps or standing	
Dimensions (W x H x D), with bracket	410 mm (W) - 740 mm (H) - 310 mm (D)	
Weight	32 kg	
Ambient conditions	Temperature range	-20 °C...40 °C
Construction	Movinghead	
Number of LEDs	1	
Color mixture	5 colors + white light + CRI (CT: 2800K - 5600K)	
LED type	350W High Output White LED	
Floor housing	Yes	
Fan	Internal Fans	
Wireless DMX	No	
Housing color	Black	
Temperature protect function	Electronic temperature control overheating protection, electronic temperature control automatic power-off protection when the overheating system fails	
Gobo Rotating	6 Rotating Gobos	
Gobo Static	8 Fixed Gobos + white	
Prism	4 prism, frost function	
LCD	LCD display, key + touch dual operation mode	