



B O S
LIGHTING

AMADEUS H400



MAKE LIFE BRIGHTER



CONTACT

Address

BOS Lighting
Dommelseweg 148
5554 NV Valkenswaard
The Netherlands



Online

Emergency email
Email
Website

sos@bos-lighting.nl
info@bos-lighting.nl
www.bos-lighting.nl



TABLE OF CONTENTS

SAFETY INSTRUCTIONS & MAINTENANCE	PAGE 3
INSTALLATION	PAGE 4
<i>WHAT IS IN THE BOX?</i>	PAGE 4
<i>DIMENSIONS AMADEUS H400</i>	PAGE 4
<i>PREPARING</i>	PAGE 5
<i>INSTALLATION OF THE CLAMP</i>	PAGE 5
DMX-512 CONTROL CONNECTIONS	PAGE 6
PHOTOMETRIC DATA	PAGE 7
MENU OVERVIEW	PAGE 8
DMX CHANNELS	PAGE 9
DMX VALUES	PAGE 10
<i>COLOR</i>	PAGE 10
<i>ROTATING GOBO</i>	PAGE 10
<i>STATIC GOBO</i>	PAGE 10
GOBOS	PAGE 11
TROUBLESHOOTING AND CLEANING	PAGE 12
TECHNICAL SPECIFICATIONS	PAGE 13

This product is for professional use only. It is not for household use.

This product presents risks of severe injury or death due to fire and burn hazards, electric shock and falls. Read this manual before installing, powering or servicing the fixture, follow the safety precautions listed below and observe all warnings in this manual and printed on the fixture. This device has left the factory in perfect condition. In order to maintain this condition and to ensure a safe operation, it is absolutely necessary for the user to follow the safety instructions and warning notes written in this user manual.

If you have questions about how to operate the fixture safely, please contact us via info@bos-lighting.nl.



WARNING!

Read the safety precautions in this section before unpacking, installing, powering or operating this product.

- Review the following safety precautions carefully before installing or operating the fixture. This fixture must be installed in accordance with the applicable installation code by a person familiar with the construction and operation of the fixture and the hazards involved.



WARNING!

Risk of electric shock.

- Always power off/unplug the fixture before removing any covers.
- Ensure that the power is turned off when connecting the fixture to the AC mains supply.
- Do not apply power if the fixture is in any way damaged.
- Do not immerse the fixture in water or liquid.



WARNING!

Take measures to prevent burns and fire.

- Install in a location that prevents accidental contact with the fixture.
- Install only in a well-ventilated space.
- Install at least 0.3 m (12 in.) away from objects to be illuminated.
- Install only in accordance with applicable building codes.
- Ensure a minimum clearance of 0.1 m (4 in.) around the cooling fans.
- Do not paint, cover or modify the fixture.
- Keep all flammable materials away from the fixture.
- Allow the fixture to cool for 15 minutes after operation, before touching it.
- CAUTION: Exterior surface temperature after 5 min. operation = 45 °C



WARNING!

Take measure to prevent personal injury.

- Do not look directly at the light source from close range.
- Take precautions to prevent injury due to falls when working at height.
- For permanent installation, ensure that the fixture is securely fastened to a load-bearing surface with suitable corrosion-resistant hardware.
- For temporary installation with clamps, ensure that the quarter-turn fasteners are turned fully and secured with a suitable safety cable.
- The cable must be approved for a safe working load (SWL) of 10 times the weight of the fixture, and it must have a minimum gauge of 3 mm.



CAUTION!

Disconnect from mains before starting maintenance operation

The following points have to be considered during the inspection:

1. All screws for installing the devices or parts of the device have to be tightly connected and must not be corroded.
2. There must not be any deformations on the housing, color lenses, fixations and installation spots (ceiling, suspension, trussing).
3. Mechanically moved parts must not show any traces of wearing and must not rotate with unbalances.
4. The electric power supply cables must not show any damage, material fatigue or sediments.

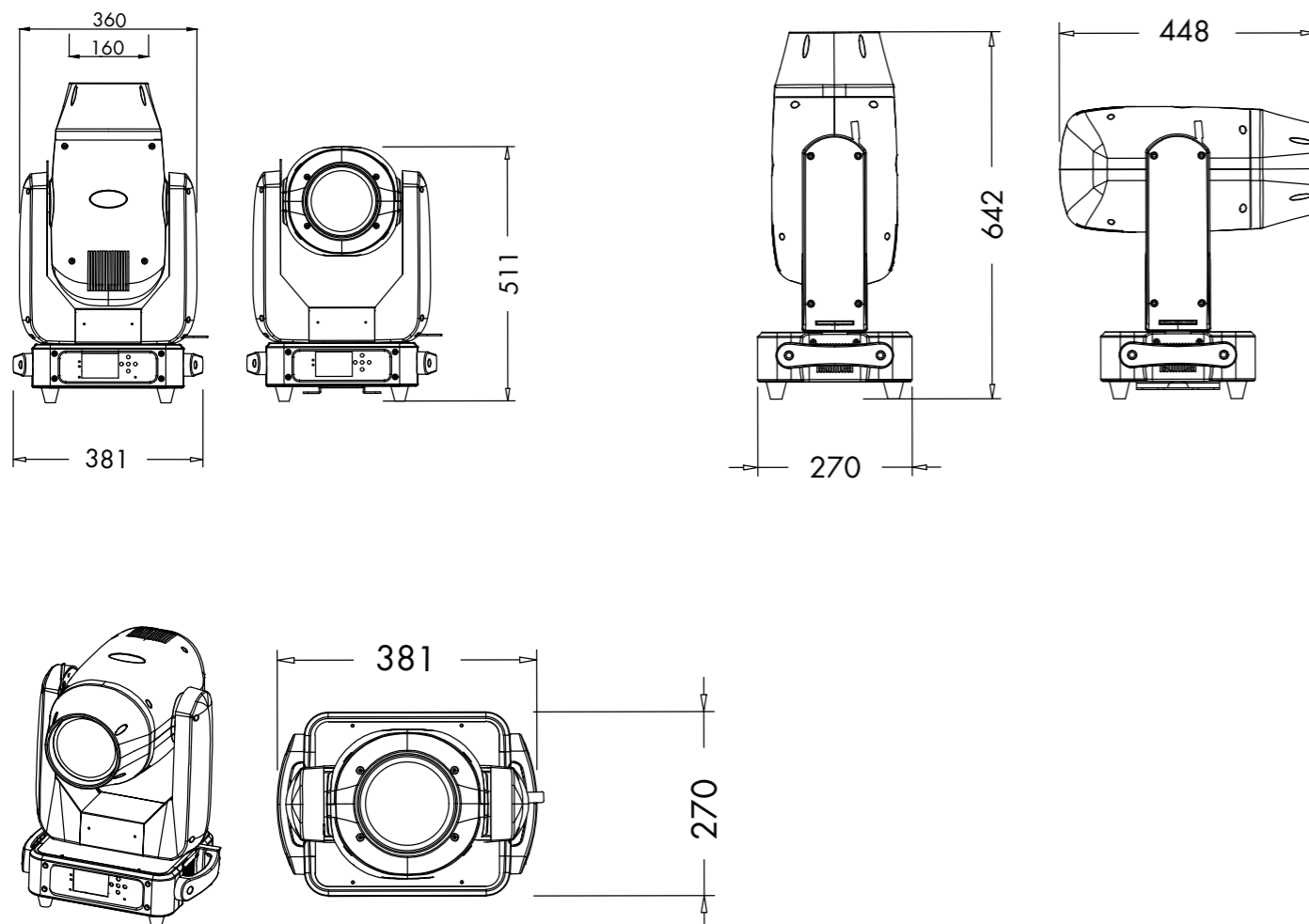
Further instructions depending on the installation spot and usage have to be adhered by a skilled installer and any safety problems have to be removed.

SECTION 2 INSTALLATION

WHAT IS IN THE BOX?

- 1x Amadeus H400
- 1x Shuko -> True1
- 2x Quicklock bracket for clamp
- 1x Safety cable

DIMENSIONS AMADEUS H400



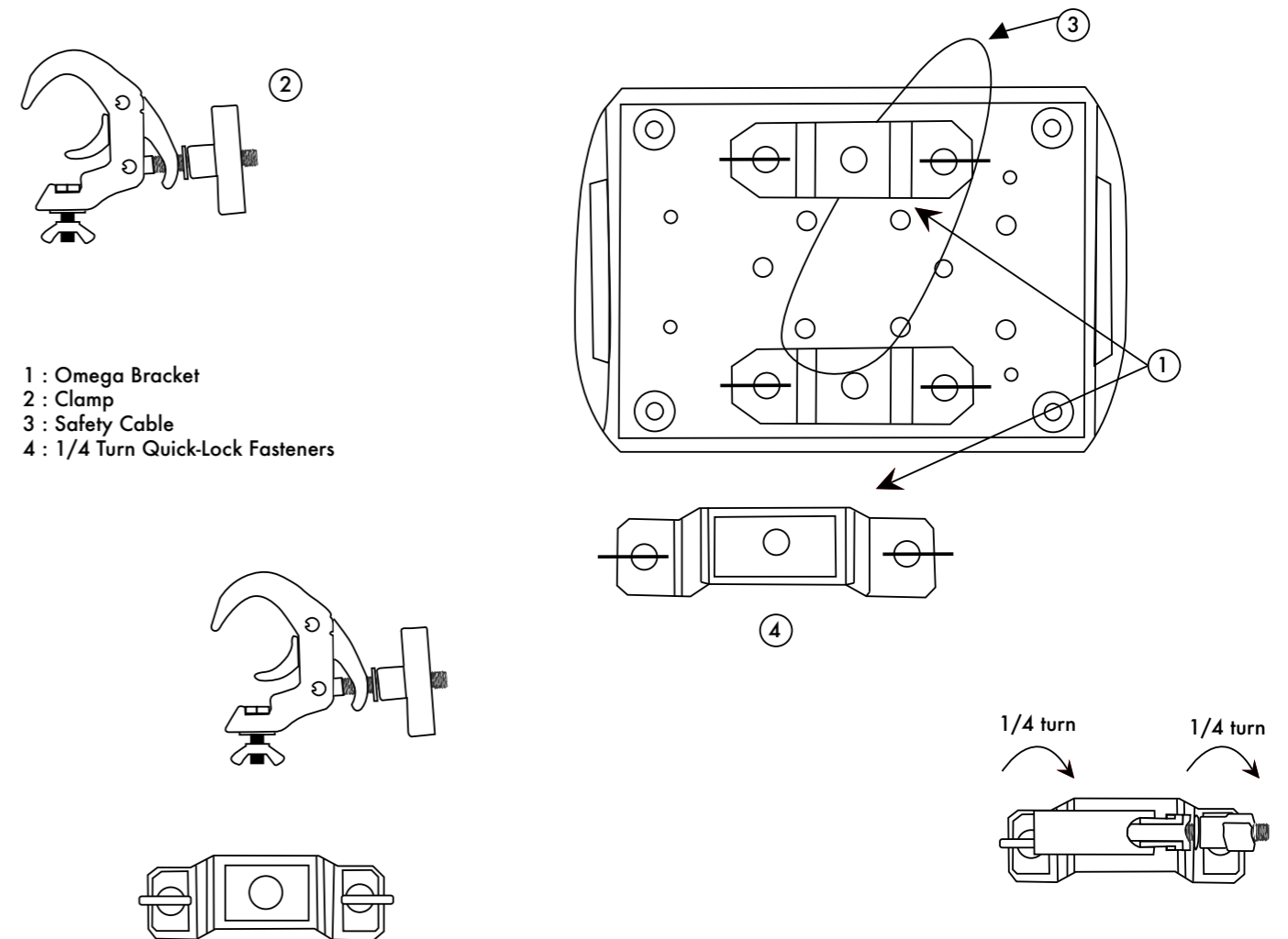
PREPARING

Unpack the fixture and inspect it to ensure that it has not been damaged during transport. Read the manual before installation.

When selecting a location for the fixture, ensure that:

- It is situated away from public thoroughfares and protected from contact with people.
- It is not immersed in water or exposed to high-pressure water jets.
- It has adequate ventilation.

INSTALLATION OF THE CLAMP

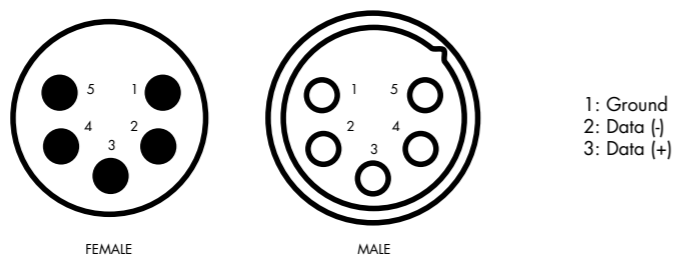
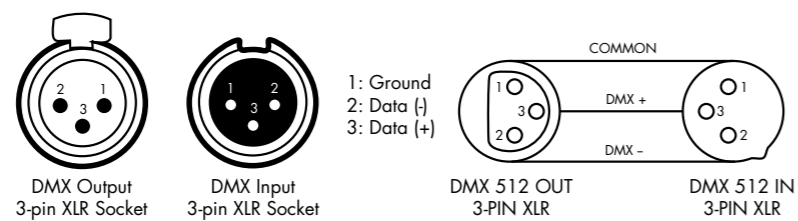




SECTION 3 DMX-512 CONTROL CONNECTIONS

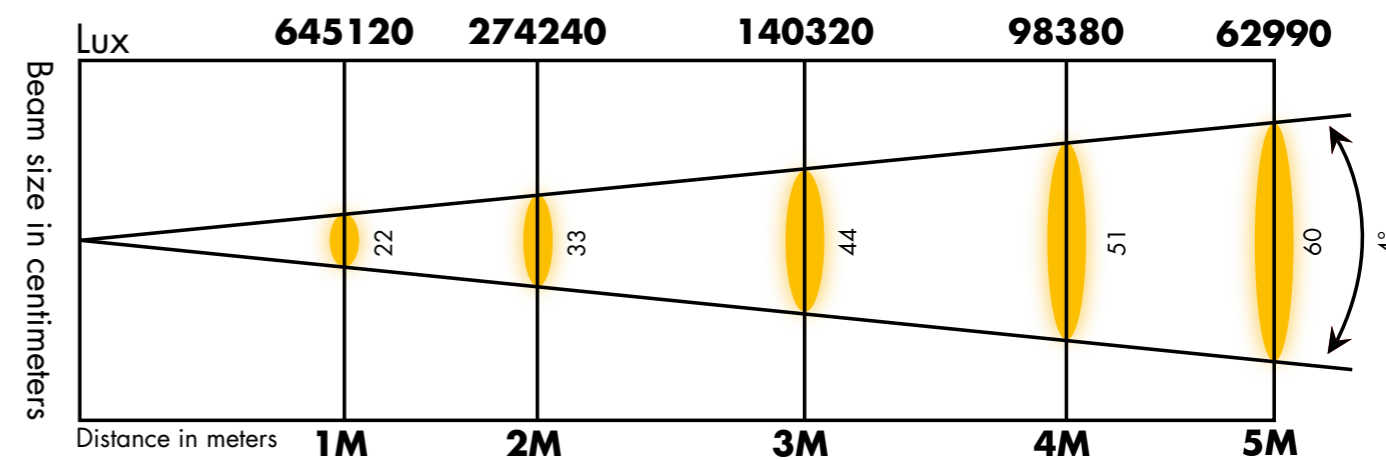
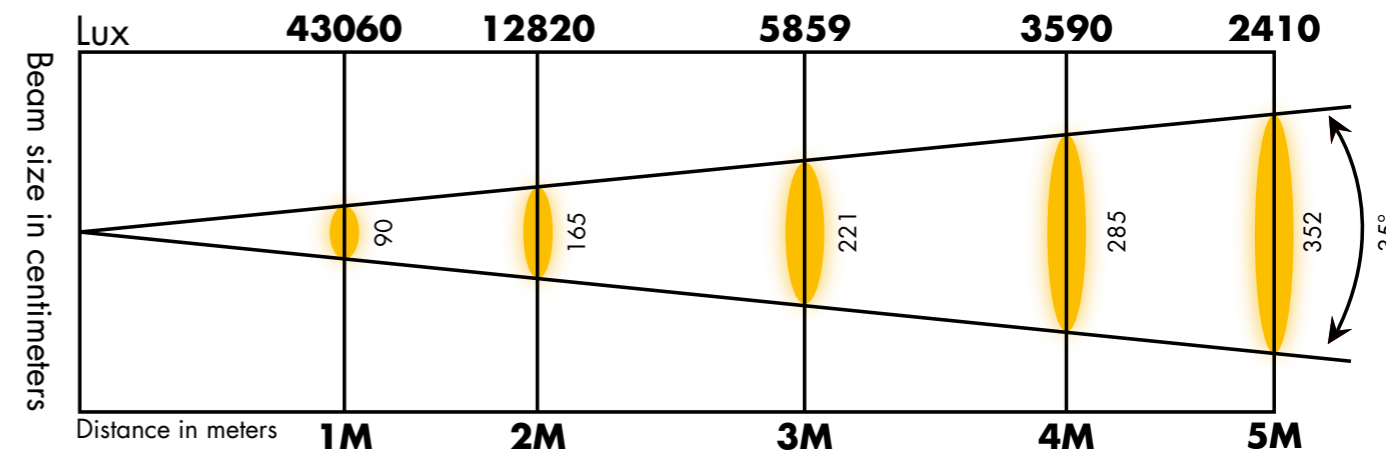
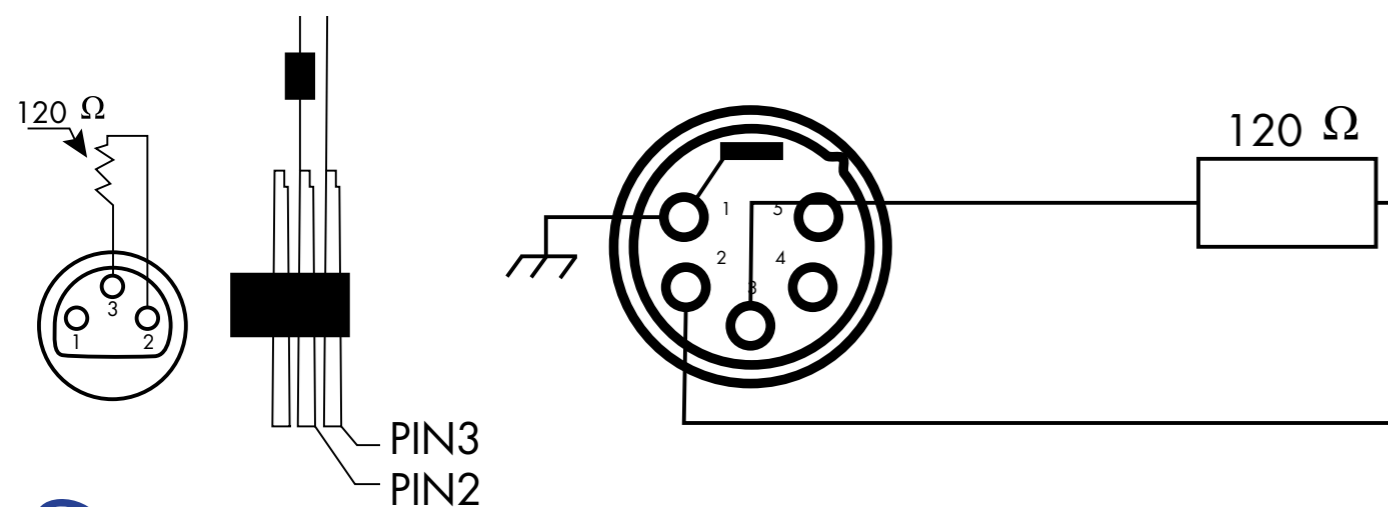
SECTION 4 PHOTOMETRIC DATA

Connect the provided XLR cable to the female 3-pin XLR & 5-pin XLR output of your controller and the other side to the male 3-pin XLR & 5-pin XLR input of the moving head. You can chain multiple moving head together through serial linking. The cable needed should be two core, screened cable with XLR input and output connectors. Please refer to the diagram below.



For installations where the DMX cable has to run a long distance or is in an electrically noisy environment, such as in a discotheque, it is recommended to use a DMX terminator. This helps in preventing corruption of the digital control signal by electrical noise. The DMX terminator is simply an XLR plug with a 120 Ω resistor connected between pins 2 and 3, which is then plugged into the output XLR socket of the last fixture in the chain.

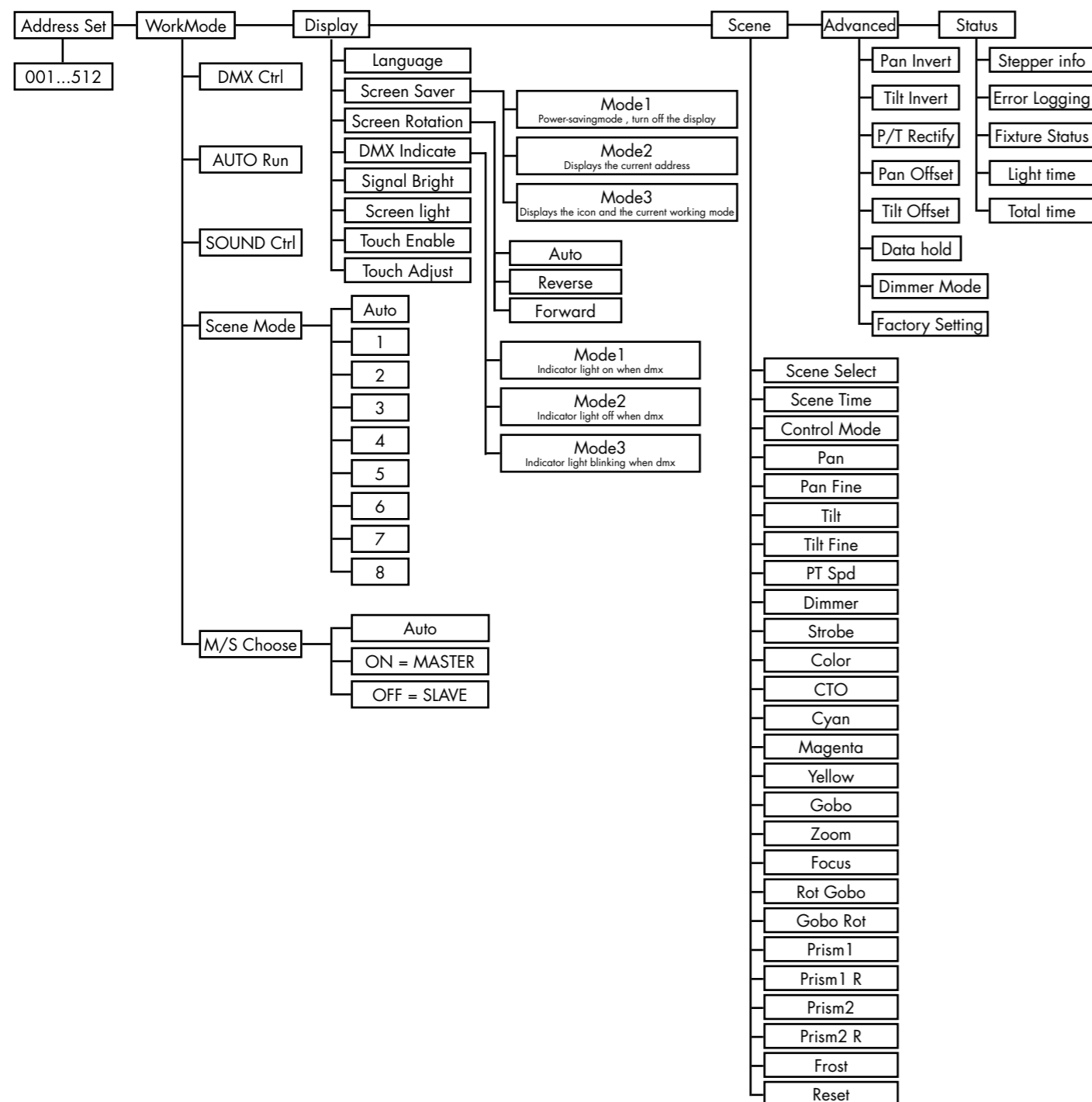
Please see illustrations below.





SECTION 5 MENU OVERVIEW

SECTION 6 DMX CHANNELS



Channel	Function	Value	Description
1	Pan	000...255	0-540°
2	Pan Fine	000...255	Pan Fine
3	Tilt	000...255	0-270°
4	Tilt Fine	000...255	Tilt Fine
5	X, Y speed	000...255	From fast to slow
6	Dimmer	000...255	From dark to bright
7	Shutter	000...003	Closed
		004...103	Slow strobe to fast strobe
		104...107	Open
		108...207	Slow strobe to fast strobe Mode 2
		208...212	Open
		213...251	Free Strobe
		252...255	Open
8	Color	000...255	See DMX value Page 13
9	CTO	000...255	
10	Cyan	000...255	
11	Magenta	000...255	
12	Yellow	000...255	
13	Gobo	000...255	See DMX value Page 13
14	Zoom	000...255	Wide To Narrow
15	Focus	000...255	From far to near
16	Rotating gobo	000...255	See DMX value Page 13
17	Gobo rotation	000...127	0-400 degrees
		128...187	Rotate forward (fast to slow)
		188...195	Stop
		196...255	Rotate reverse (slow to fast)
18	Prism 1	064...127	Insert Prism1
19	Prism 1 Rot	000...127	0-400 degrees
		128...187	Rotate forward (fast to slow)
		188...195	Stop
		196...255	Rotate reverse (slow to fast)
20	Prism 2	064...127	Insert Prism2
		000...127	0-400 degrees
		128...187	Rotate forward (fast to slow)
		188...195	Stop
21	Prism 2 Rot	196...255	Rotate reverse (slow to fast)
		000...127	0-400 degrees
		128...187	Rotate forward (fast to slow)
22	Frost	188...195	Stop
		196...255	Rotate reverse (slow to fast)
		128...255	Insert frost
23	Reset	210...215	Reset Effect motor over 3 seconds
		220...235	Reset XY motor over 3 seconds
		240-255	Full Reset over 3 seconds



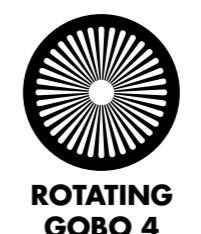
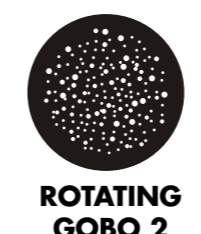
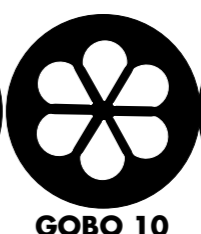
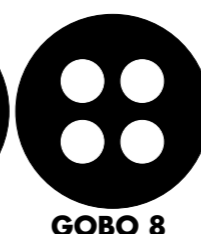
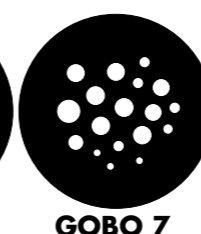
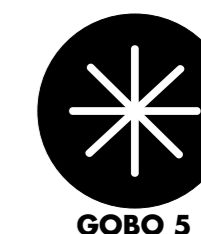
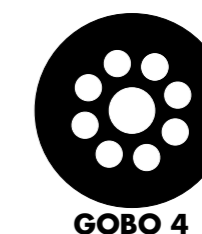
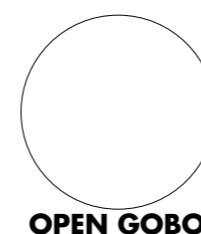
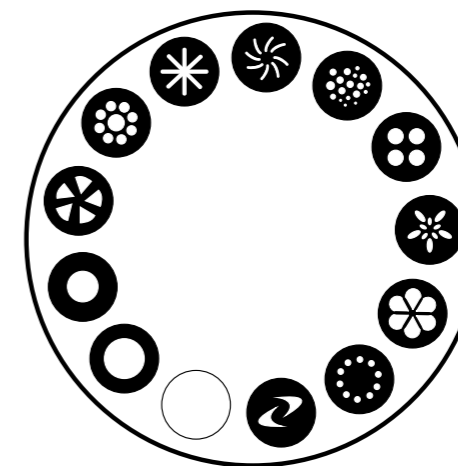
SECTION 7 DMX VALUES

SECTION 8 GOBOS

Function	Value	Description
Color	000...009	White
	010...019	Red
	020...029	Green
	030...039	Blue
	040...049	Orange
	050...059	Pink
	060...069	Yellow
	070...079	Cyan
	080...089	UV
	090...099	White - Red Half
	100...109	Red - Green Half
	110...119	Green - Blue Half
	120...129	Blue - Orange Half
	130...139	Orange - Pink Half
	140...149	Pink - Yellow Half
	150...159	Yellow - Cyan Half
	160...169	Cyan - UV Half
	170...179	UV - White Half
	180...215	Rotate forward (fast to slow)
216...220		
221...225	Rotate reverse (slow to fast)	

Function	Value	Description
Rotating Gobo	000...009	Open
	010...019	Gobo 1
	020...029	Gobo 2
	030...039	Gobo 3
	040...049	Gobo 4
	050...059	Gobo 5
	060...069	Gobo 6
	070...079	Gobo 7
	080...084	Shake slow to fast GOBO1
	085...089	Shake slow to fast GOBO2
	090...094	Shake slow to fast GOBO3
	095...099	Shake slow to fast GOBO4
	100...104	Shake slow to fast GOBO5
	105...109	Shake slow to fast GOBO6
	110...127	Shake slow to fast GOBO7
	128...190	Rotate forward (fast to slow)
	191...192	Stop
	193...255	Rotate reverse (slow to fast)

Function	Value	Description
Static Gobo	000...004	Open
	005...009	Gobo1
	010...014	Gobo2
	015...019	Gobo3
	020...024	Gobo4
	025...029	Gobo5
	030...034	Gobo6
	035...039	Gobo7
	040...044	Gobo8
	045...049	Gobo9
	050...054	Gobo10
	055...059	Gobo11
	060...064	Gobo12
	065...069	Shake slow to fast GOBO1
	070...074	Shake slow to fast GOBO2
	075...079	Shake slow to fast GOBO3
	080...084	Shake slow to fast GOBO4
	085...089	Shake slow to fast GOBO5
	090...094	Shake slow to fast GOBO6
	095...099	Shake slow to fast GOBO7
	100...104	Shake slow to fast GOBO8
	105...109	Shake slow to fast GOBO9
	110...114	Shake slow to fast GOBO10
	115...119	Shake slow to fast GOBO11
	120...127	Shake slow to fast GOBO12
128...190	Rotate forward (fast to slow)	
191...192	Stop	
193...255	Rotate reverse (slow to fast)	





SECTION 9 TROUBLESHOOTING AND CLEANING



CAUTION!

Disconnect from mains before starting maintenance operation

The lamp contains professional components such as microcomputer circuit board and high-voltage power supply. For your safety and product life, non-professionals should not disassemble the lamp and related accessories without authorization.

The diode does not light up

Possible cause: The bulb is not completely cooled, or the bulb has reached the end of its life, the treatment is as follows:

- Due to abnormal operation, the bulb is not completely cooled down, so let the lamp body cool down for more than 10 minutes to make the inside completely return to normal state, and then turn on the power again.
- Check whether the bulb has reached the end of its life, and replace it with a new one.
- Check whether the bulb and the lighter circuit are leaking, falling off, or having poor contact.
- Replace with a new light source.

The light beam appears dim

Possible cause: The bulb has been used for a long time or the light path is not clean, the treatment is as follows:

- Check whether the bulb has reached the end of its life, and replace it with a new one
- Check whether the optical components or bulbs are clean, and whether there is dust on the bulbs and other optical components.
- Regular cleaning and maintenance of the bulbs and components in the lamps are required.

Blurred pattern projection

Possible cause: Lenses are dirty or electronic focus is defect:

- Check if lenses are clean.
- Check whether the electronic focus channel value is suitable for the current projection distance.

The lamps work intermittently

Possible cause: The internal circuit enters the protection state, and the treatment is as follows

- Check whether the fan is operating normally or whether it is dirty, causing the internal temperature of the lamp to rise
- Check whether the internal temperature control switch is closed
- Check whether the bulb has reached the end of its service life, and replace it with a new one.

After the lamp is reset normally, it does not accept the control of the console

Possible cause: signal line failure or abnormal lamp parameter setting, the treatment is as follows:

- Check the start address code and check the connection of the DMX signal line (whether the signal line cable is intact, and whether the connection of the head is loose)
- Add signal amplifier, add 120 ohm terminal resistance.

The lamp can't start

Possible cause: bad power line, the treatment is as follows:

- Check whether the fuse on the power input socket is fused, replace the fuse.
- Lamps have poor line contact due to vibration during long-distance transportation.
- Check the input power, computer board and other plug-in devices.



CAUTION!

Disconnect from mains before starting cleaning operation

In order to make the lights in good condition and extend the life time, we suggest a regular cleaning to the lights.

1. Clean the inside and outside lens each week to avoid the weakness of the lights due to accumulation of dust.
2. Clean the fan each week.
3. A detailed electric check by approved electrical engineer each three month, make sure that the circuit contacts are in good condition, prevent the poor contact of circuit from overheating.

We recommend a frequent cleaning of the device. Please use a moist, lint-free cloth. Never use alcohol solvents.



There are no serviceable parts inside the device. Please refer to the instructions under "Installation instructions". Should you need any spare parts, please order genuine parts from your local dealer.

BOS LIGHTING
BOS Lighting Amadeus H400
Page 12
Version: v1 // 2022

SECTION 10 TECHNICAL SPECIFICATIONS

Light Source	SSL 350W - 6710K	
Optical properties	Beam angle	4°~ 35°
	Repetition rate	3000 Hz
Control	DMX	
	Master-slave and sound activated controllable or auto operation	
Number of DMX channels	23CH	
Power connections	Lockable True1 In/Out	
Control connections	DMX control	3-pin XLR In/Out
Power consumption	400 W	
Operating supply voltage	100 – 240 V 50/60 Hz	
Protection class	IP20	
Mounting options	Hanging with Two 1/4 turn fastening Omega Clamps or standing	
Dimensions (W × H × D), with bracket	381 mm (W) - 642 mm (H) - 270 mm (D)	
Weight	22.5 kg	
Ambient conditions	Temperature range	-20 °C...40 °C
Construction	Movinghead	
Number of LEDs	1	
Color mixture	12 colors + white light. Color half-color function, linear CMY+CTO color mixing system.	
LED type	350W High Output White LED	
Floor housing	Yes	
Fan	Adopt axial fan to enhance cooling	
Wireless DMX	No	
Housing color	Black	
Temperature protect function	Electronic temperature control overheating protection, electronic temperature control automatic power-off protection when the overheating system fails	
Gobo Rotating	7 glass patterns, each glass pattern can be independently forward and reverse	
Gobo Static	12 fixed Gobos + white light	
Prism	Single 6-row prism and 8+8 prism, each prism can be independently forward and reverse	
LCD	LCD display, key + touch dual operation mode	